

*Ch. H. Kubbinga B.V.
Parallelweg 25, 1131 DM Volendam
Netherlands*

Tel: 0031-(0)299-410000, Fax: 0031-(0)299-410009

E-mail: international@kubbinga.nl

www.e-and-l-cycles.com/yipeeh.com/Volare-bicycles.com



1. ASSEMBLY INSTRUCTIONS

This assembly manual concerns indications for a correct execution and for the maintenance of this new cycle. (Read this manual before you assemble and use this article). Adult assembly is required. Keep this manual for future reference. If you have problems or questions please go to a bicycle service shop. When you Remove/pull the black protection pads on the front and rear axles, look first if you Do not take away a screw inside this pad before throwing away.

Have a good time with this cycle.

- 2.** Adult supervision is required. Draw attention to your child concerning possible danger. The cycle contents to the established European norm DIN EN 14764 (minimum Saddle height 635 mm) or DIN EN 14765 (minimum saddle height 435 mm to maximum height 635 mm) + DIN EN 14782 A responsibility of the manufacturer is out of the question by imprudent use of the cycle by your child.
- 3.** It is required by use of this cycle to wear practical clothes and closed shoes. E & L Cycles advise to wear a helmet. The helmets be found in our assortment (www.e-and-l-cycles.com). This cycle can not be used for sporting use (by example jumping etc.) This cycle is not fit for inclines, sloped driveways or for steps. Keep your child out of the reach of all kinds of waters like ditches, lakes, swimming pools etc.
- 4.** The cycle may not be used on the public road.
- 5.** Recommendation: be sure that the carrier is tied. Transformations at the carrier afterwards are forbidden. For the driving safety, do not use the carrier for heavy things, for attaching a supporter (EN 14687) or as an infant carrier. The loading capacity of this cycle contains max. 115 kg. (Cycle 15 kg + cyclist 80 kg + luggage 20 kg). The carrier is only maid for a weight of maximum 20 kg. We recommend to transport only goods on the carrier. Pay attention to the measurements of the carrier (Influence of the driving ability). Do not cover the rear reflector/rear light. Use for transport of goods the carrier straps. Check during the cycling if the carrier is tied fast.

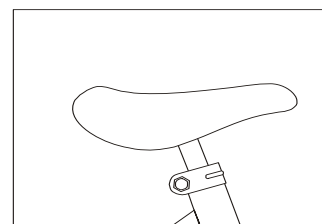
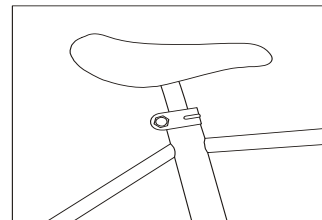
6. Put into operation:

Take the cycle out of the packing and collect all of the parts. Check if all the parts are available. Keep the manual.

ASSEMBLY ONLY ALLOWED BY AN ADULT.

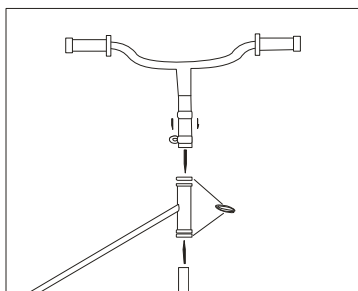
7. Assembly of the saddle:

Place the saddle with the pen in the saddle tube. Watch the safety marks on the pen. Put the saddle on the correct height for your child. You can adjust the saddle that at least the toe will reach the ground, for preference the whole foot touches the ground to guarantee a better stand. Attach the saddle and turn on the saddlebolt.



8. Assembly handlebar and handlebar pen:

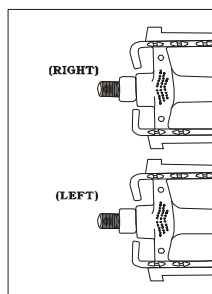
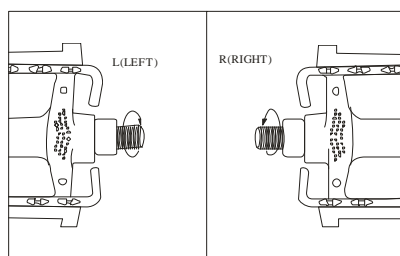
Insert the handlebar and the front fork in the head tube. Watch the safety marks on the pen. Adjust the handlebar at the correct height and tighten the handlebar clamp.



9. Assembly of the pedals:

Look for the **R** or **L** marked on the pedal spindle.

Thread pedal marked **R** into the crank on the right (chain guard) side of bicycle. Thread pedal marked **L** into the crank on the left side of the bicycle.



10. Assembly trainer wheels:

Do not remove the thin axle nut. Install the training locking bracket, with prong towards the rear of cycle. Be sure prong on locking bracket fits into the axle slot on frame. Install outside axle nut, and tighten. As you are tightening the axle nut, adjust the trainer's height by moving the trainer up or down, until you have the desired height. The trainer should be approximately 6 mm. of the ground. If extra training wheel plate available put the 2 screws in this plate.

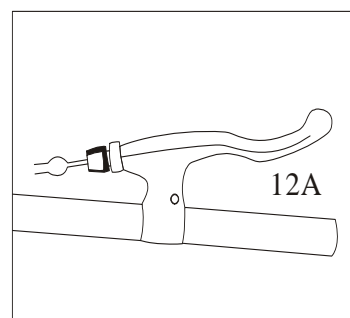
Be sure all nuts are adjusted properly and tightened securely. Check trainer wheels for safety before your child rides this cycle. Do not ride cycle without trainer wheels attached (12,5 – 16 inch).

11. Brakes:

1 x handbrake frontwheel en back-peddalling brake on the rear wheel. By back pedalling the brake working will be operative.

12. Assembly/adjustment of the handbrakes (Fig. A –B):

The handbrake is pre-assembled. Check if the brake-blocks are touching the rim when you brake. If necessary (re)adjust. Check if the brake is working according the instructions. If the margin in the handbrake is too large, than rotate the brake cable nut by the handle (Fig. 12A). Squeeze the brake and check if both of the brake blocks are touching the rim. If they do not, than, unscrew the inner cable nut, put the brake blocks with your hand against the rim, draw with the other hand the inner cable tighter and rotate the inner cable nut again. (Fig. 12B).

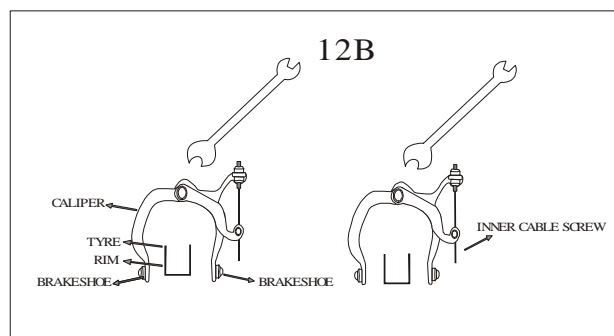


INDICATION:

If additional brake adjusting is required you can bring the brake rubbers closer to the wheel rim by turning the adjusting screw counter-clockwise.

Be sure the cable is locked securely through the anchor bolt (Fig. A.)

Reset the cable adjuster lock nut when adjustment is final.



WARNING:

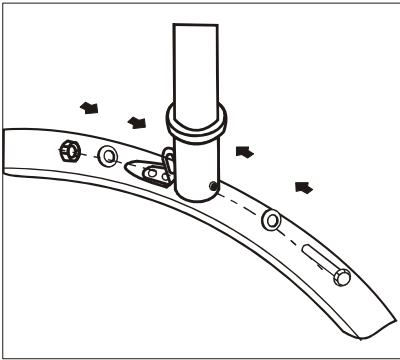
If you have problems with the adjustment, please do not use the cycle and have the brake repaired or adjusted at a bicycle service shop.

13. Cantilever brakes or V-brakes.

The brake shoe/brake block by the V-brake/Cantilever brakes have to run parallel with the rim. The distance between the brake blocks and the rim must be 2-3 mm. You can adjust this distance by unscrewing the locknut. When the brake shoe/brake block can not be adjusted with this locknut and the shoe/block is not yet wore out, than it is possible to adjust the brake block straight to the brake or rim. Than first turn back the locknut at the brake grip for having the possibility to adjust this later again. Than release the nut at the reverse side of the shoe/block and slide the block closer to the rim. Screw down the nut very tight. Pay attention that the left and the right brake shoe/brake block are adjusted at the same distance of the rim. Important is, that the brake shoe/brake block is adjusted that high that during the brake, the brake shoe/brake block not become under the rim. For further information, see our pictures.

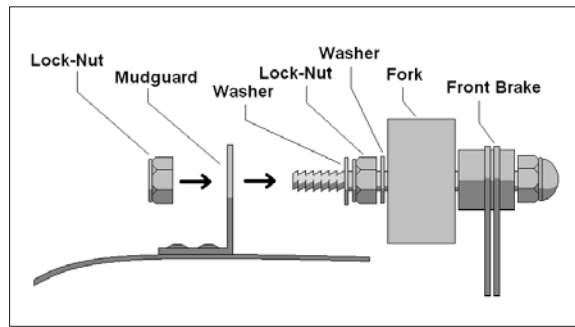


14. Front fender assembly.



Bike equipped with canti brake or V brake

1. Remove the nut washer and bolt, holding the front fender to the fork steerer tube
2. Ensure fixing nut is tightened sufficiently enough to eliminate rotation of mudguards
3. Periodically check tightness of the fixing



Bike equipped with caliper

1. Remove the nut washer and bolt, of caliper holding the front fender to the fork steerer tube
2. Ensure fixing nut is tightened sufficiently enough to eliminate rotation of mudguards
3. Periodically check tightness of the fixing

15. Lighting.

If you ride at night, you have to put on the headlight and rear-light, but sometimes also by day, if the sight will be obstructed, like with twilight or fog. The lights must always be clearly visible. If you do not have lights on your cycle, than you never may ride at the public road.

16. Lubricant.

Bearings of naves, head tube and pedal axle are already greased in the factory and we advise you to grease these regular. To grease these bearings, the parts have to be dismantled. This better can be done by a bicycle service shop. This also applies to the chain or the naveling and brake cable directions.

17. Warranty.

It contains the legal warranty. Damages, which are created by wrong requirements, force, insufficient maintenance or by normal wastage, are locked out of warranty.

18. Recommendations:

Check your cycle regular on any damages, wastage or released parts. You have to hold the sides of the rims fat free.

1. The chain must be oiled regular (chain or universal oil).
2. Check the pressure of the tires regular.
3. The pedals must be attached very well.
4. Pay attention that your child is wearing closed shoes when it is cycling.
5. Pay attention, that your child is wearing always a helmet when it is cycling.
6. If you can not repair the cycle by yourself, please go to a cycle service shop.
7. Parts which are attached by you out of the way or changements which are placed to the cycle (in particular to the brake installations) are changing the driving-properties and this can be dangerous.
8. Use only original parts when you are repairing the cycle.
9. Warranty: 2 year, only on the frame.

Summary of screw parts of the cycle:

	Norm NM	Norm lbf.in
Axle nut in front	22 – 25	195 – 220
Axle nut at the back	25 - 29	220 - 225
Foreforkbolts	15 – 17	10 - 150
Handlebar screw	16 - 18	140 – 160
Saddle screw	16 – 18	140 - 160
Saddle supporting screw	9 – 12	80 – 105

We have worked with full devotion to deliver a product of high quality. We hope that this product is good for the physical condition and joy of your child. Only if the child is learning to control the cycle and when the cycle does not control the child, than we have gained our object.

E&L Cycles has a complete assortment for children from 2 until 14 years old in modern colours and trendy styles. You can visit also our website: www.e-and-l-cycles.com

Ch. H. Kubbinga B.V., Parallelweg 25, 1131 DM Volendam, Nederland. E-mail: e&l@kubbinga.nl.

